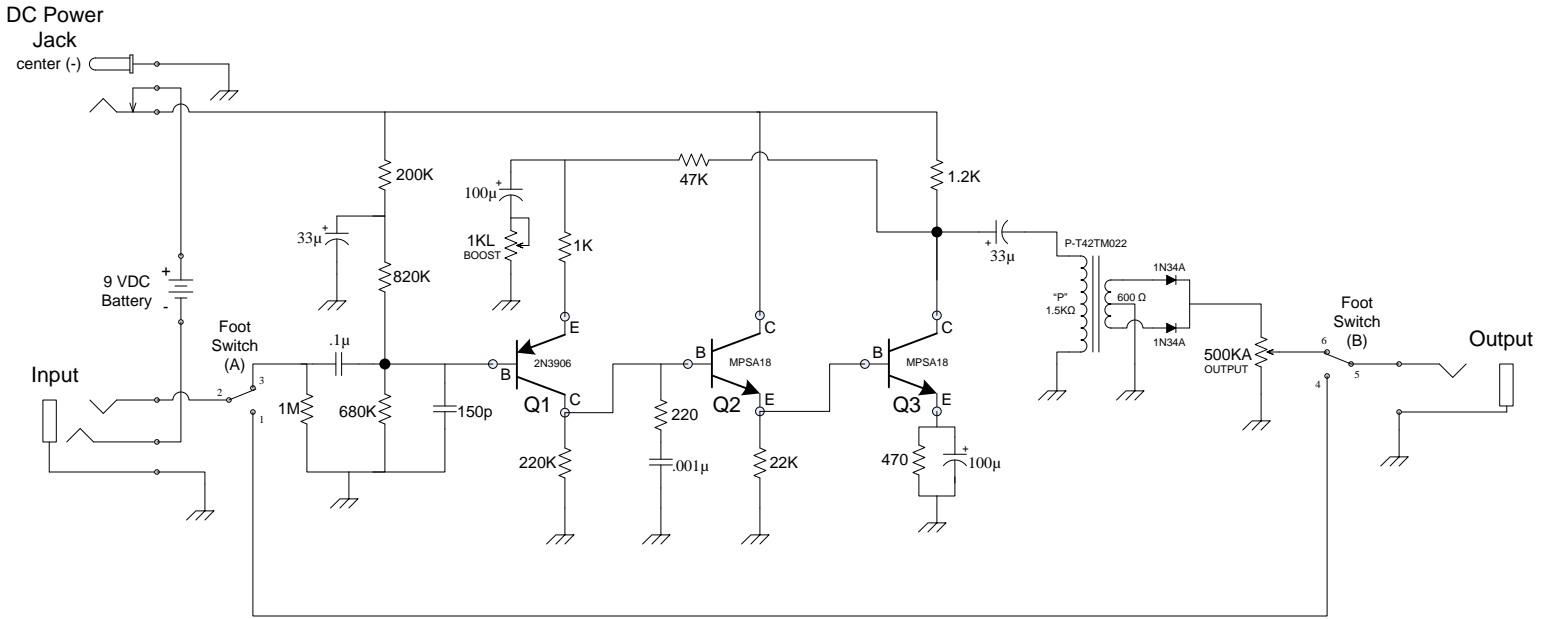




## Ring Resonator Schematic (Before – no LED)



## Ring Resonator Schematic (After – with LED)

