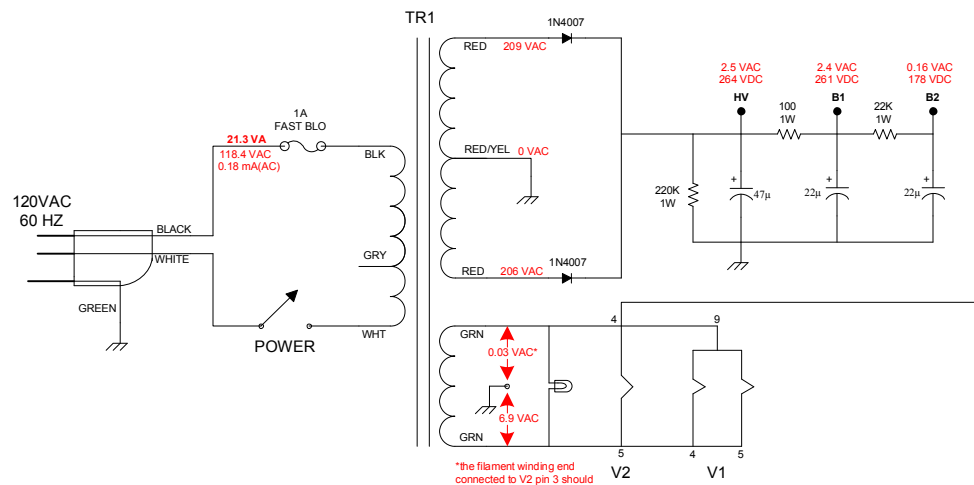


Unplug speaker cable from the speaker output jack to use the headphone output jack.



\*the filament winding end connected to V2 pin 3 should measure less than 0.10 VAC with respect to ground.

V1 = 12AX7 / ECC83	TR1 = 269EX
V2 = EL84/6BQ5	TR2 = P-T31

Voltages measured from test point to ground with **no signal** and the following front panel settings:

POWER: ON  
 BASS: "0"  
 TREBLE: "0"  
 VOLUME: "0"

www.modkitsdiy.com  
 Copyright © 2013 by modkitsdiy.com

**K-MOD102 Schematic**