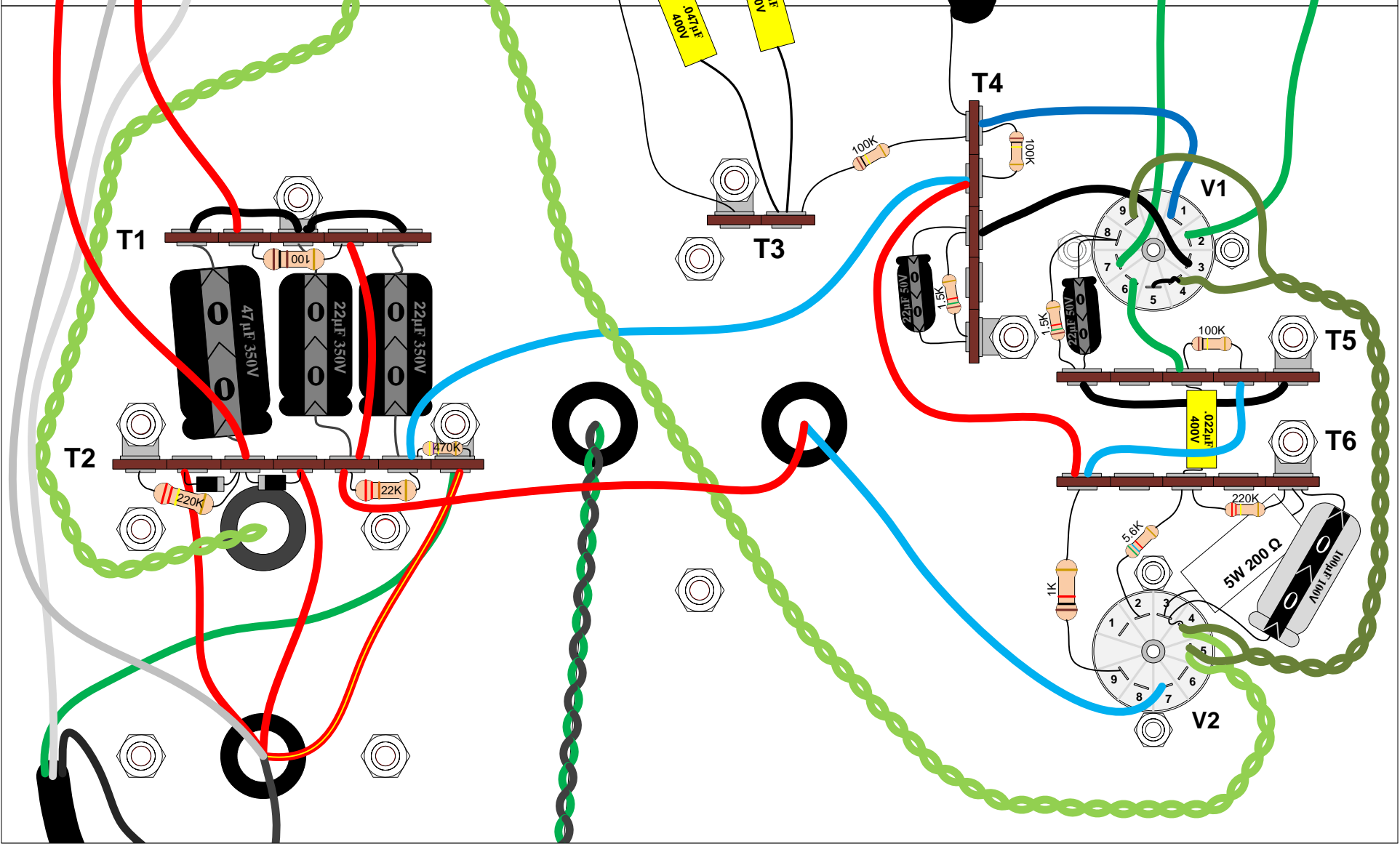
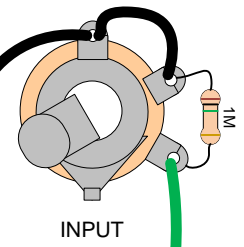
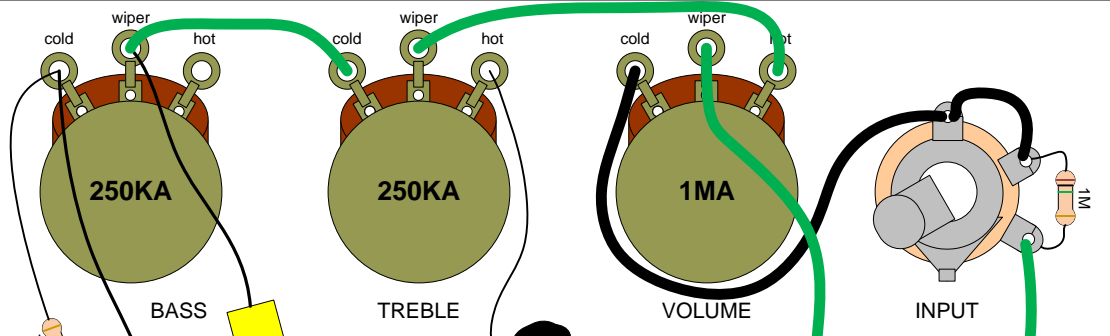
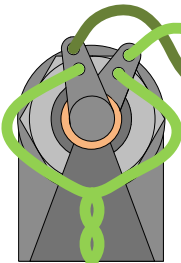
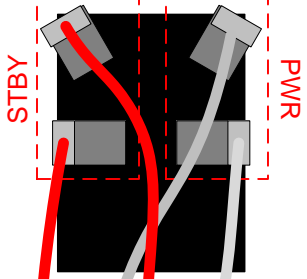
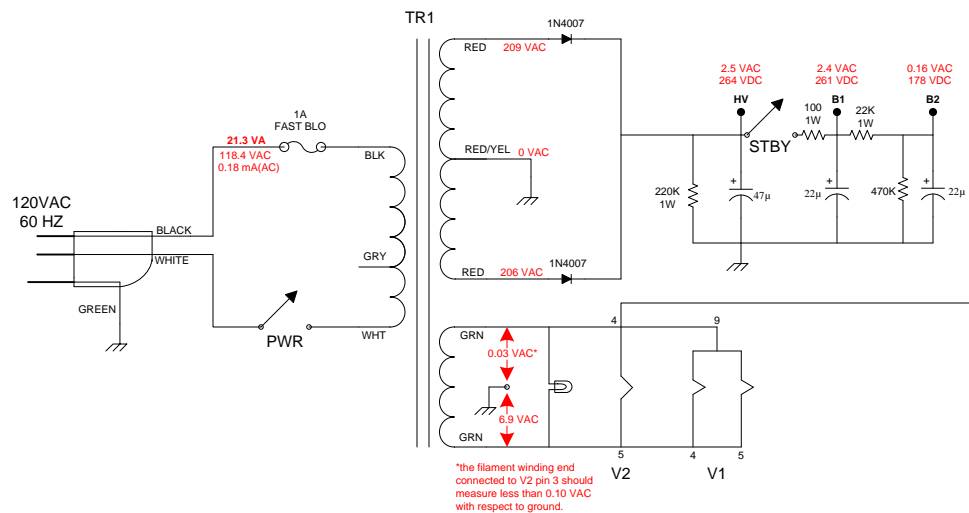
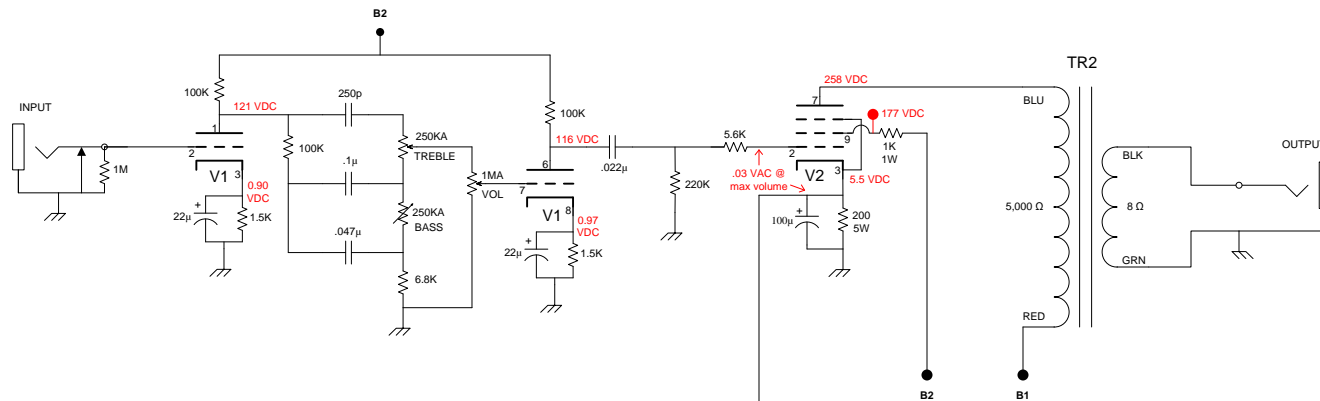




P-H520

MODIFIED LAYOUT

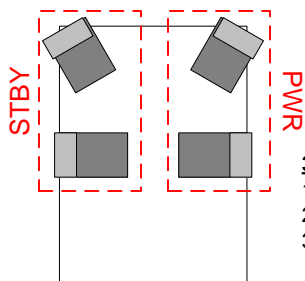




|                    |             |
|--------------------|-------------|
| V1 = 12AX7 / ECC83 | TR1 = 269EX |
| V2 = EL84/6BQ5     | TR2 = P-T31 |

Voltages measured from test point to ground with **no signal** and the following front panel settings:

POWER: ON  
 BASS: "0"  
 TREBLE: "0"  
 VOLUME: "0"



### P-H520

#### 3 Position Progressive Toggle Switch

- 1) Toggle Handle OFF: PWR = open, STBY = open
- 2) Toggle Handle STANDBY: PWR = closed, STBY = open
- 3) Toggle Handle ON: PWR = closed, STBY = closed

# MOD

www.modkitsdiy.com

Copyright © 2013 by modkitsdiy.com

**MOD102 Pwr + Stby Progressive Toggle Mod Schematic**