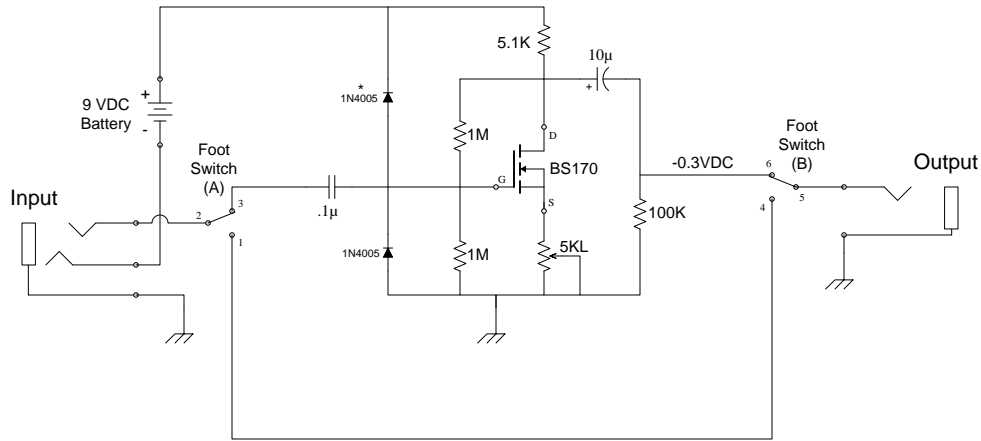
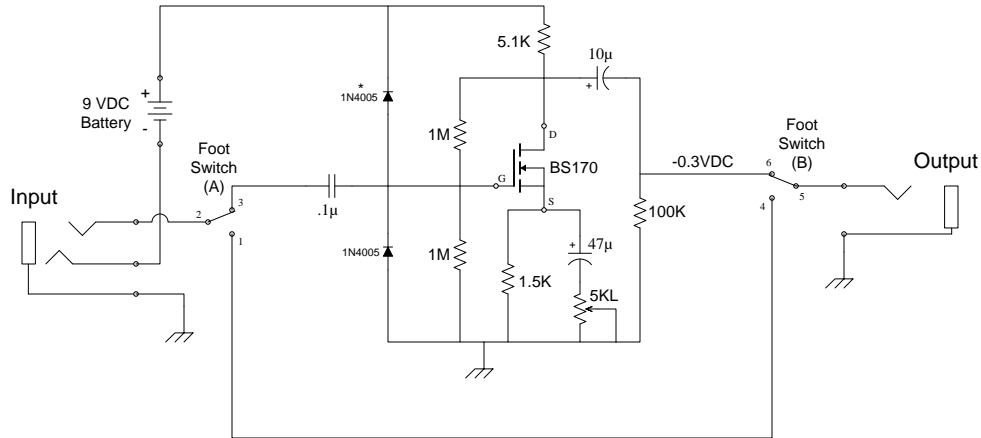


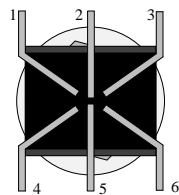
# Before



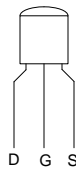
# After



DPDT Foot Switch



BS170  
N-Channel  
MOSFET

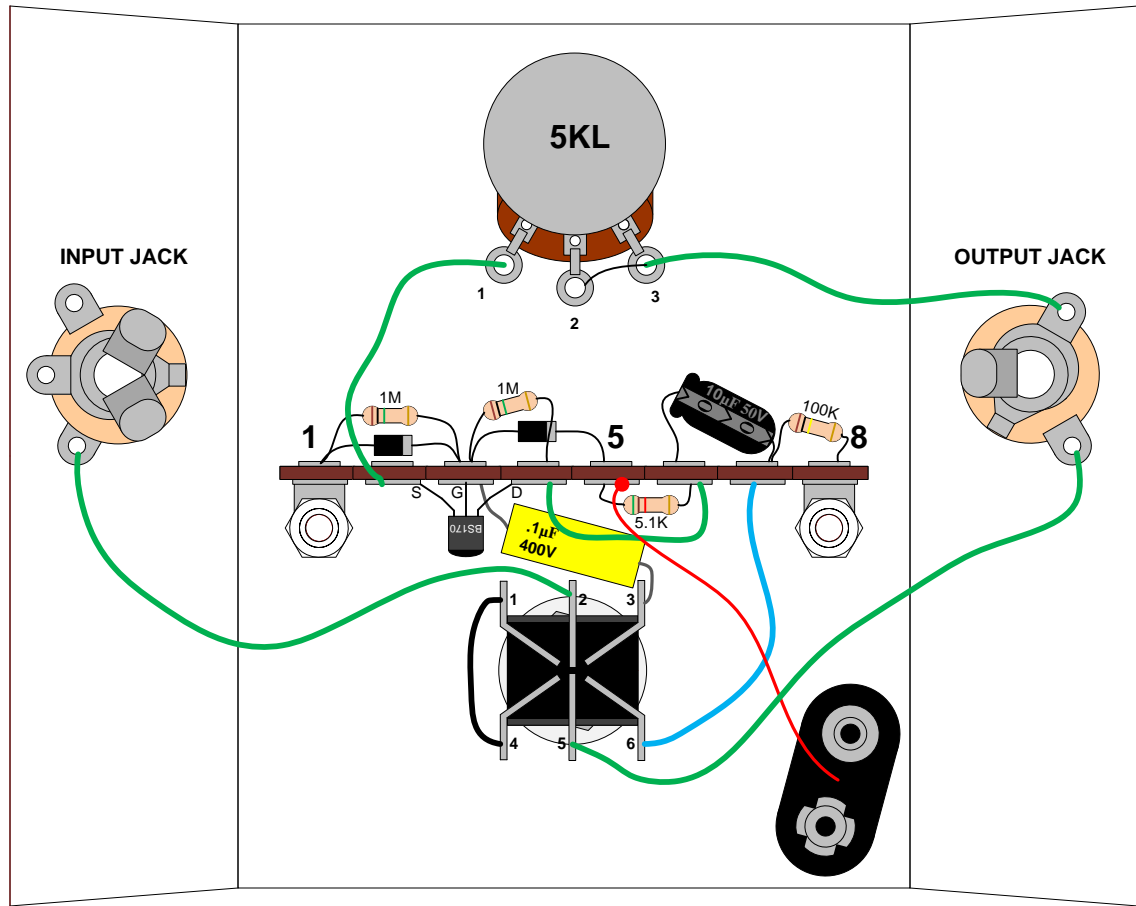


[www.modkitsdiy.com](http://www.modkitsdiy.com)

Copyright © 2015 by modkitsdiy.com

**PileDriver Scratch-less Gain Pot  
Modification Schematic**

### Before



### After

