

Primary Wiring Diagrams

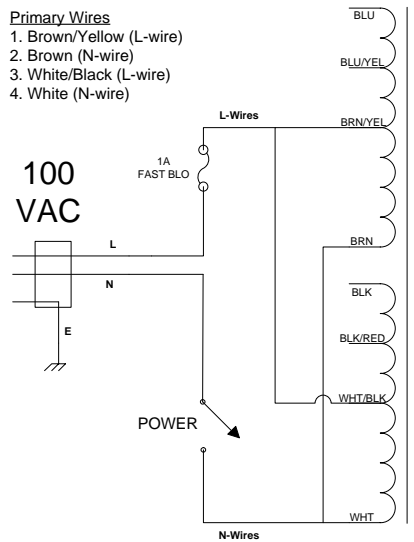
Use these diagrams to determine which 369EX power transformer primary wires you will need to use for your country's mains voltage and how to connect them.

MOD102 Power Consumption

21.3 VA	
Mains Volts	Avg. Current
V	I
100 V	.213 A
110 V	.194 A
120 V	.178 A
200 V	.107 A
220 V	.097 A
240 V	.089 A

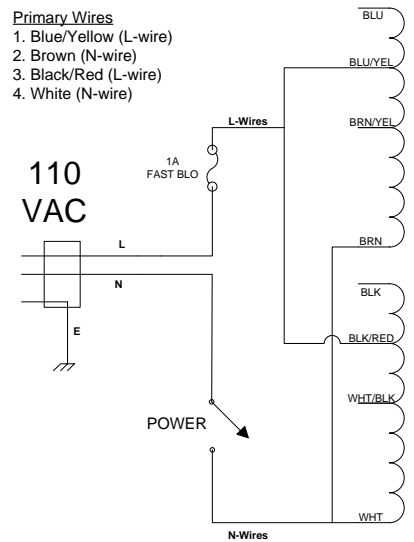
Primary Wires

1. Brown/Yellow (L-wire)
2. Brown (N-wire)
3. White/Black (L-wire)
4. White (N-wire)



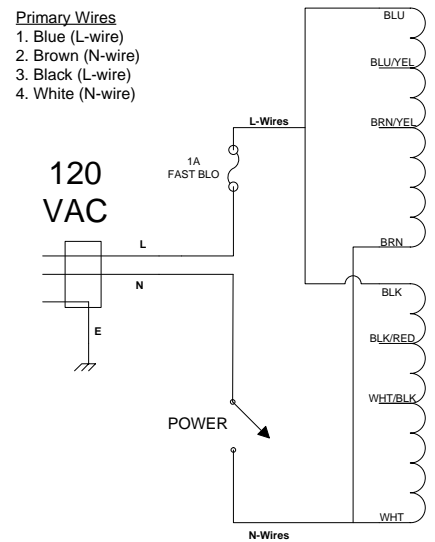
Primary Wires

1. Blue/Yellow (L-wire)
2. Brown (N-wire)
3. Black/Red (L-wire)
4. White (N-wire)



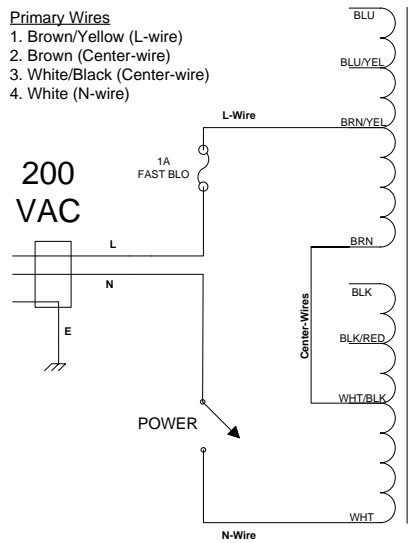
Primary Wires

1. Blue (L-wire)
2. Brown (N-wire)
3. Black (L-wire)
4. White (N-wire)



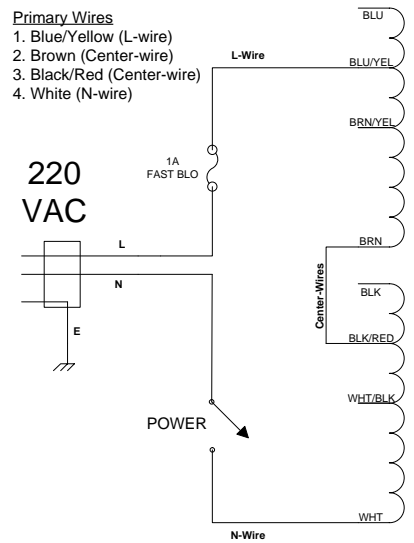
Primary Wires

1. Brown/Yellow (L-wire)
2. Brown (Center-wire)
3. White/Black (Center-wire)
4. White (N-wire)



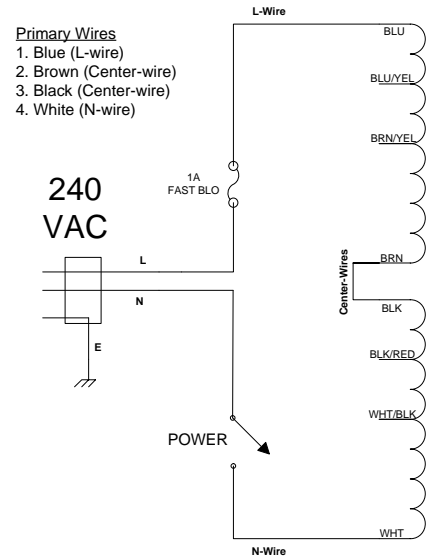
Primary Wires

1. Blue/Yellow (L-wire)
2. Brown (Center-wire)
3. Black/Red (Center-wire)
4. White (N-wire)



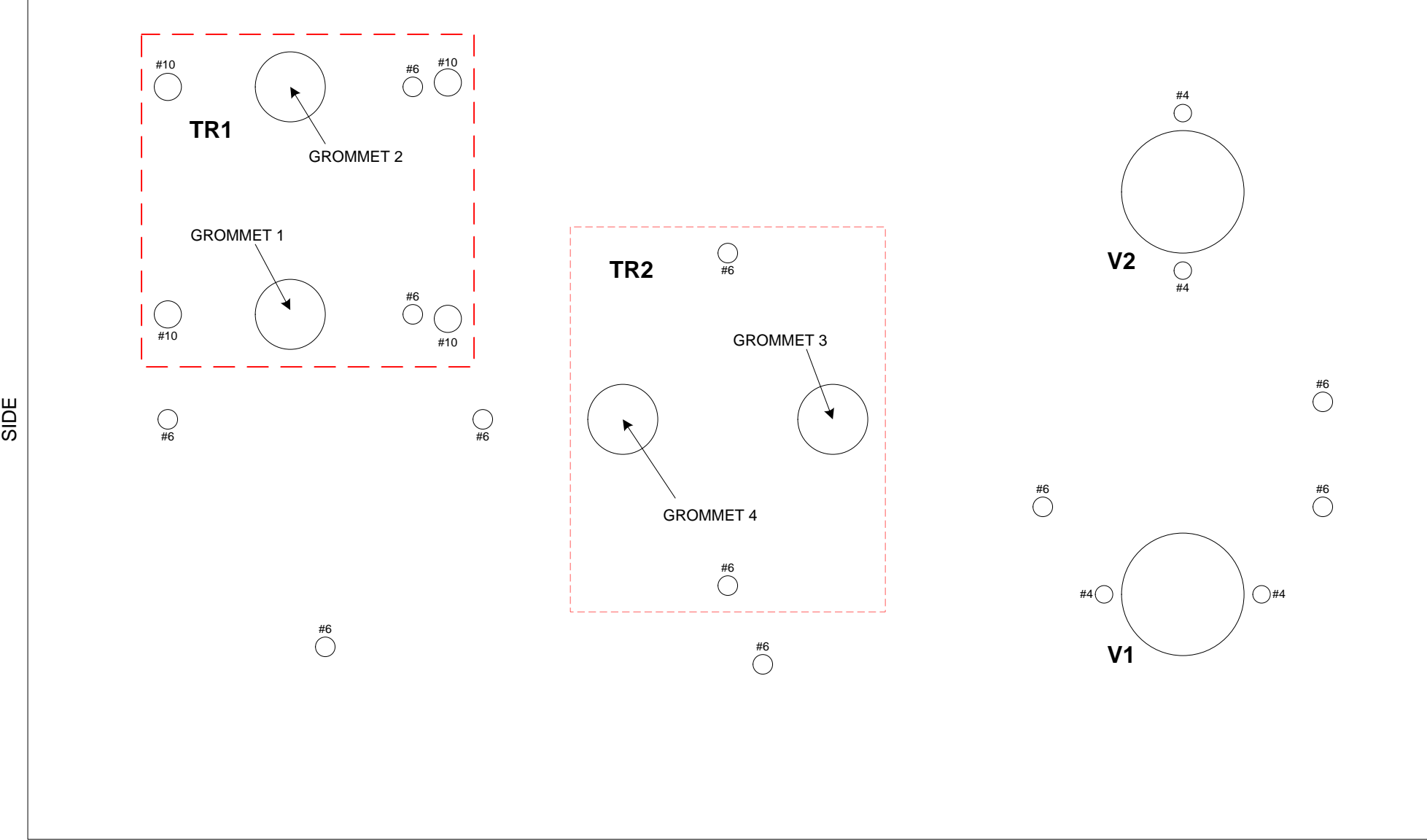
Primary Wires

1. Blue (L-wire)
2. Brown (Center-wire)
3. Black (Center-wire)
4. White (N-wire)



Drawing 1

REAR



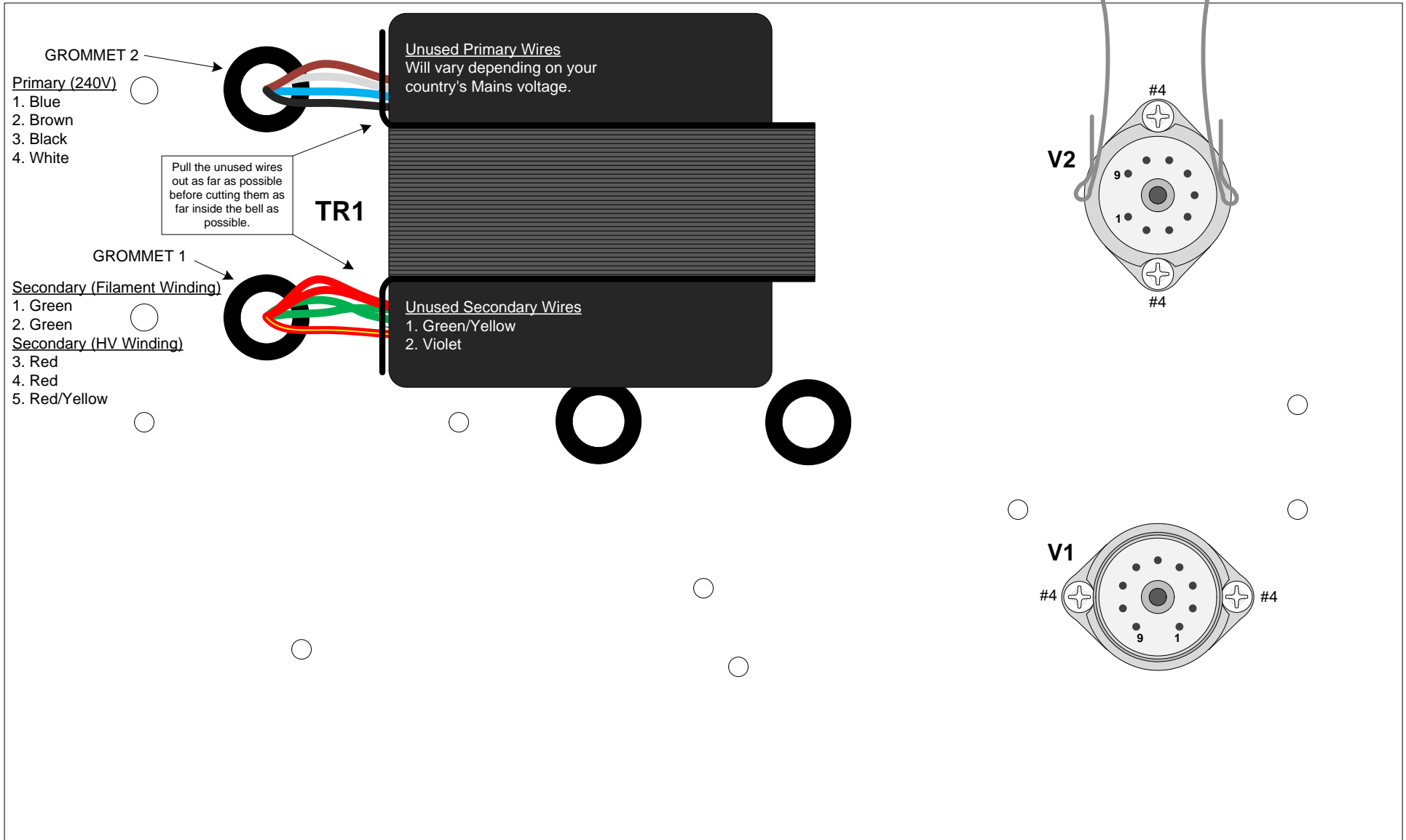
FRONT

SIDE

SIDE

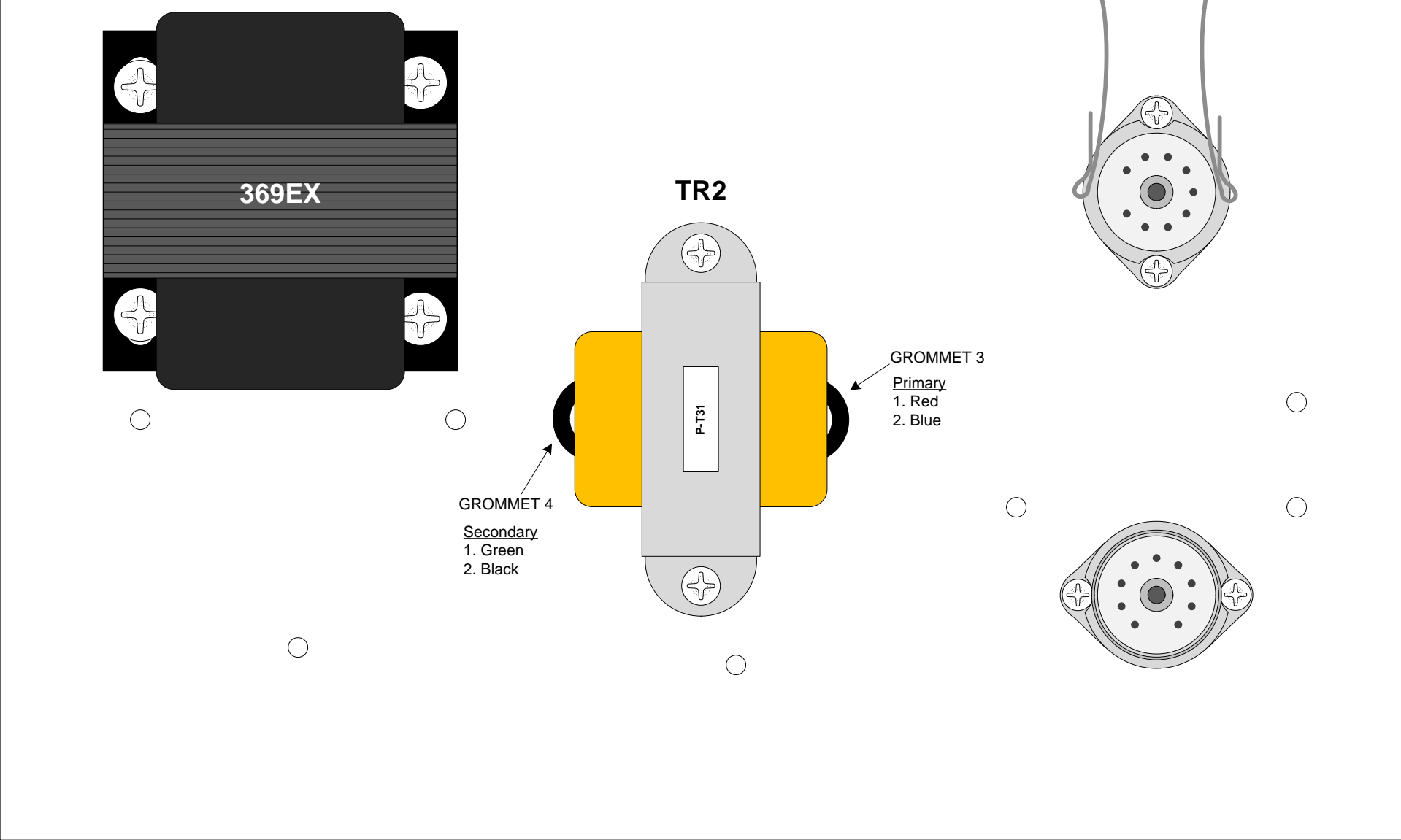
Drawing 2 (240V Primary Wires)

Use the Primary Wiring Diagrams page to determine which wires you will need to use for your country's mains voltage and how to connect them.



FRONT

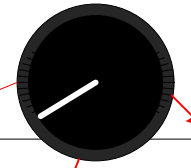
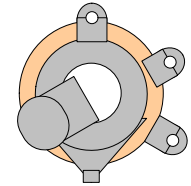
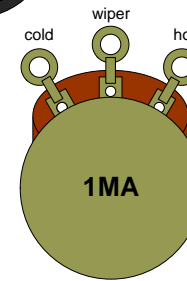
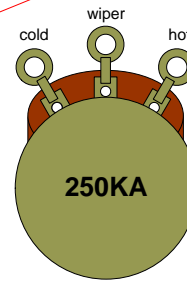
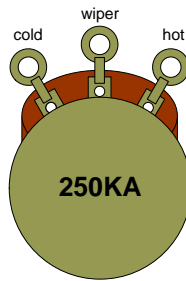
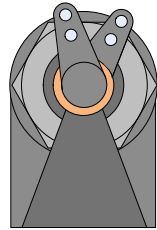
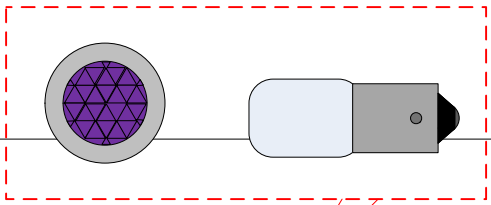
Drawing 3



FRONT

Drawing 4

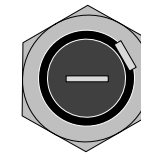
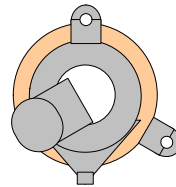
FRONT (INSIDE VIEW)



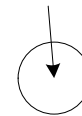
Mount the power switch with solder lugs towards the chassis top.

CHASSIS TOP

REAR (INSIDE VIEW)



Power Cord Hole:
Leave open for now



OUTPUT TO
SPEAKER(S)

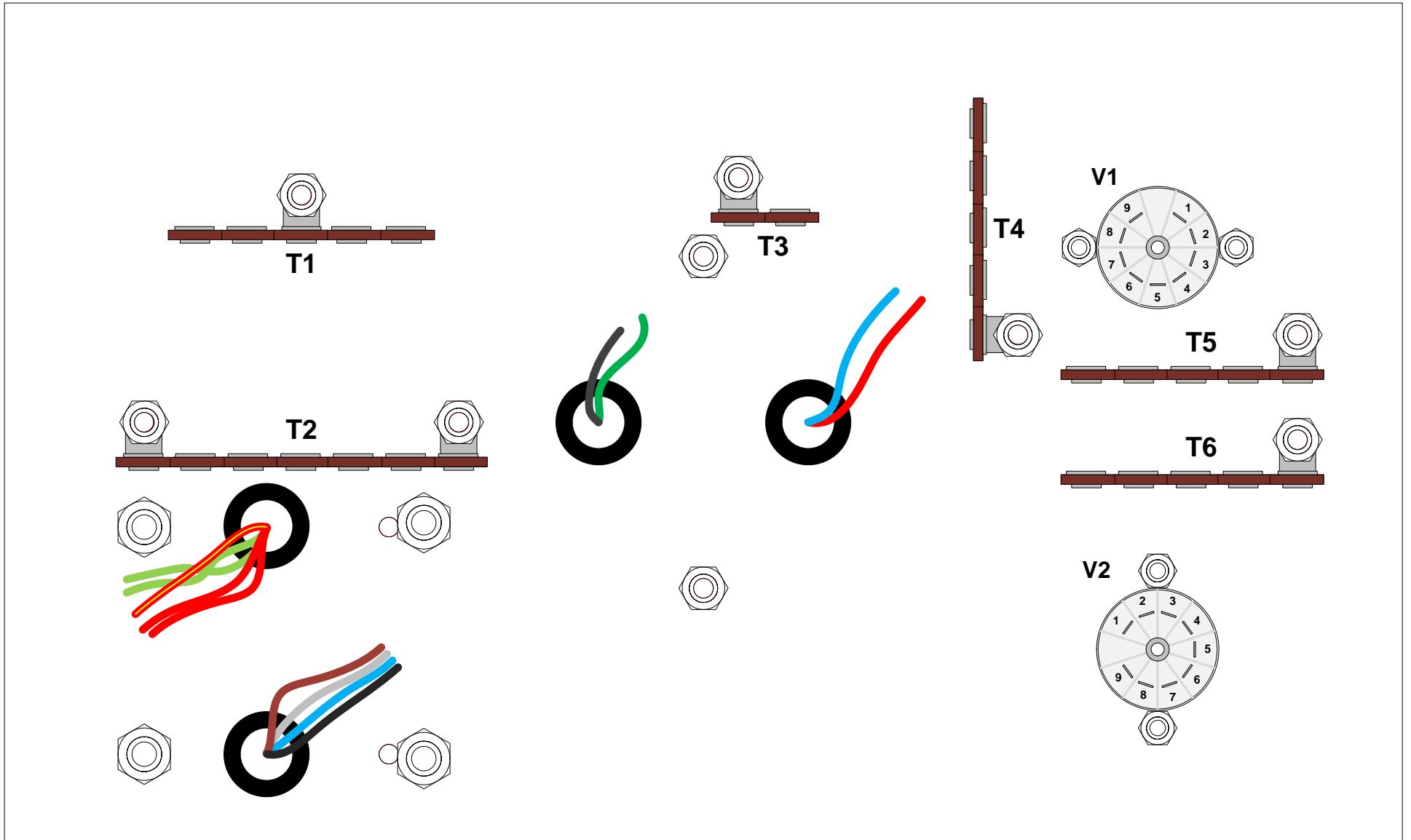
FUSE HOLDER

CHASSIS TOP

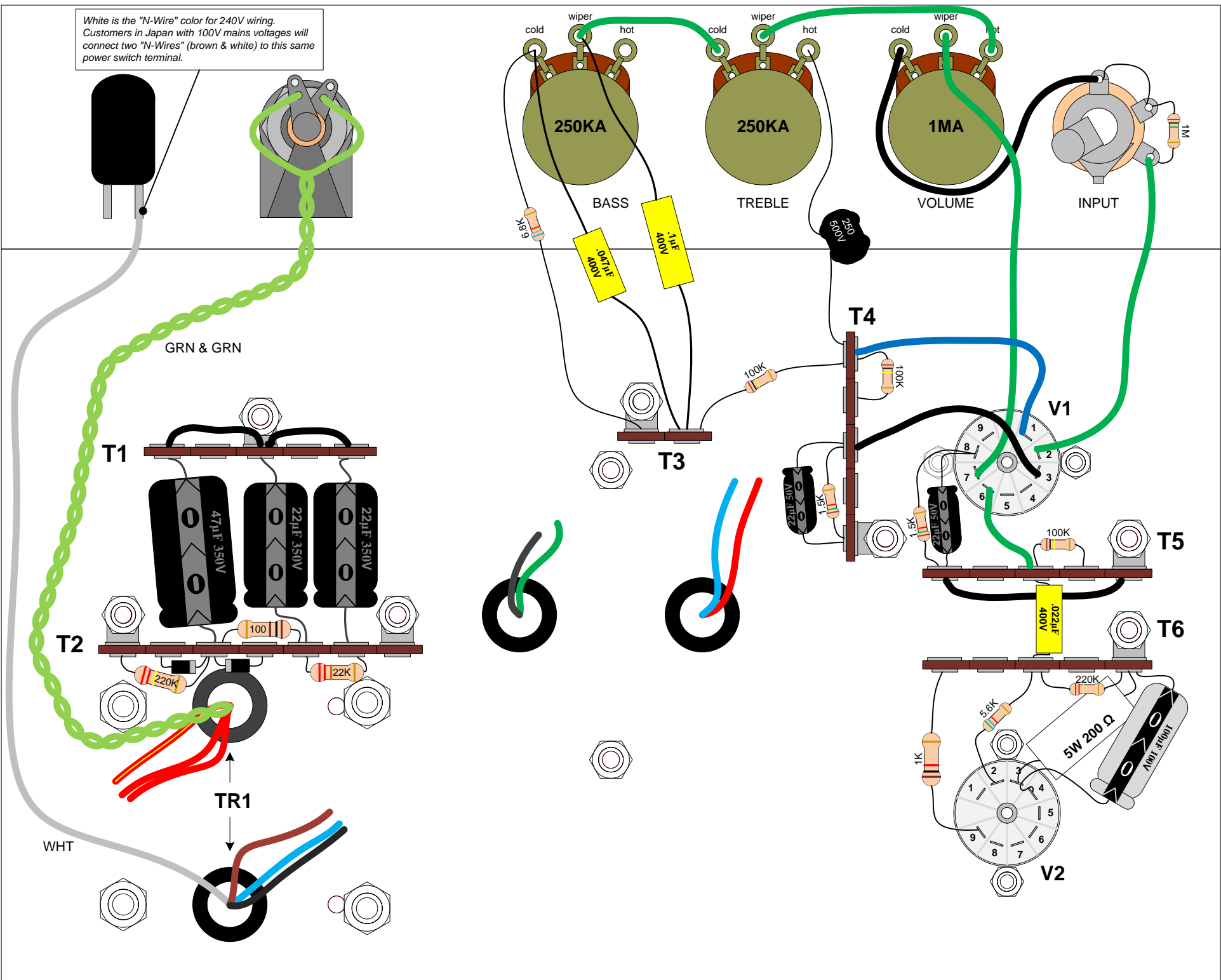


Drawing 5
(240V Primary Wires)

FRONT

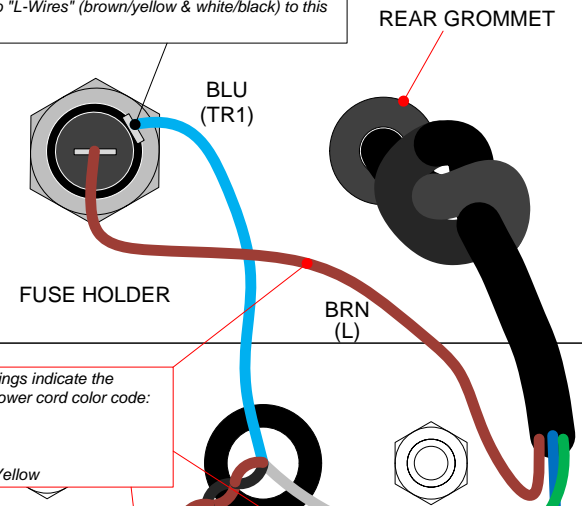
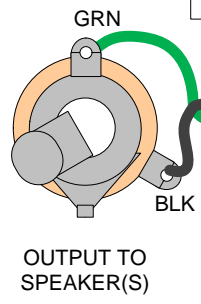


White is the "N-Wire" color for 240V wiring.
 Customers in Japan with 100V mains voltages will
 connect two "N-Wires" (brown & white) to this same
 power switch terminal.

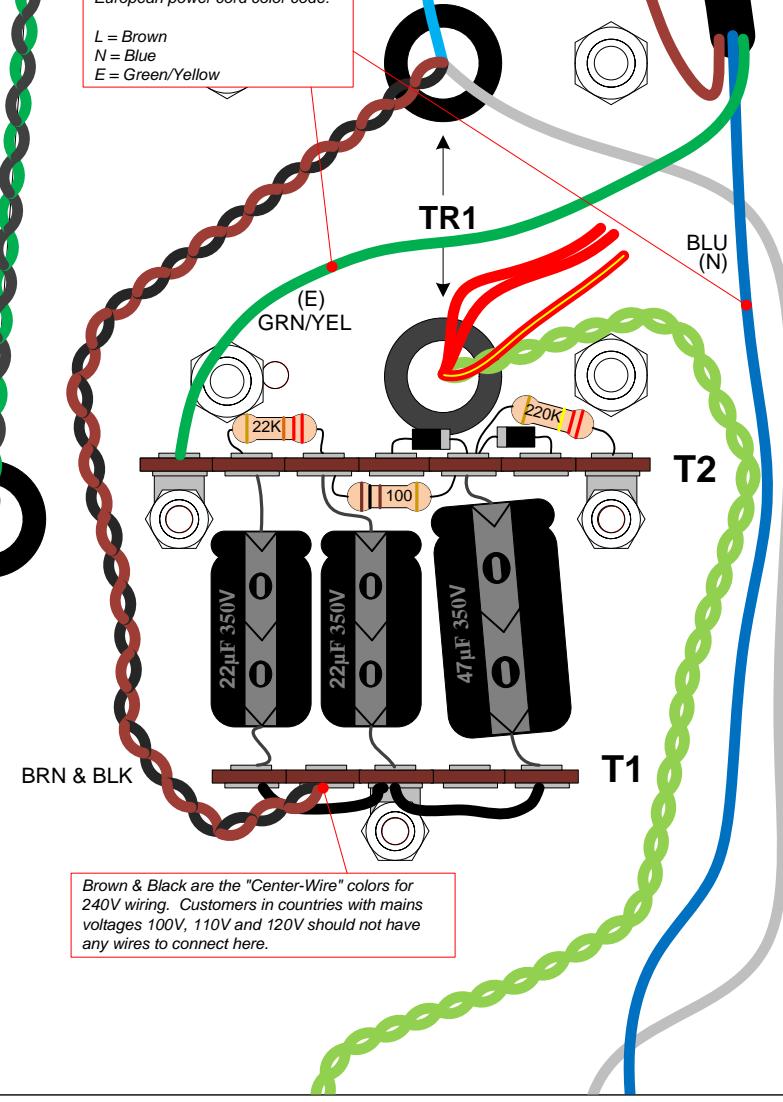
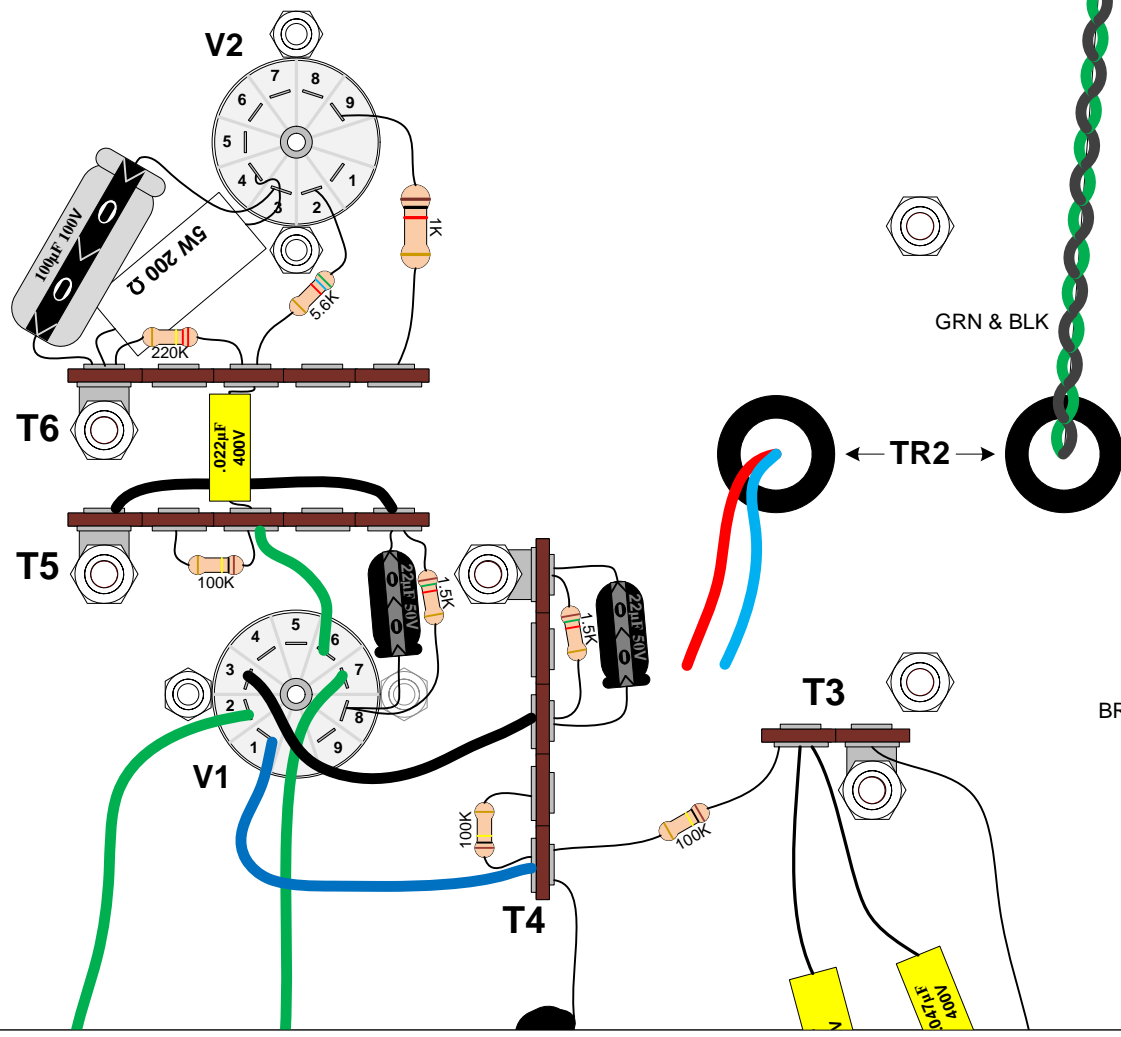


Drawing 6 (240V Primary Wires)

Blue is the "L-Wire" color for 240V wiring. Customers in Japan with 100V mains voltages will connect two "L-Wires" (brown/yellow & white/black) to this same fuse holder terminal.

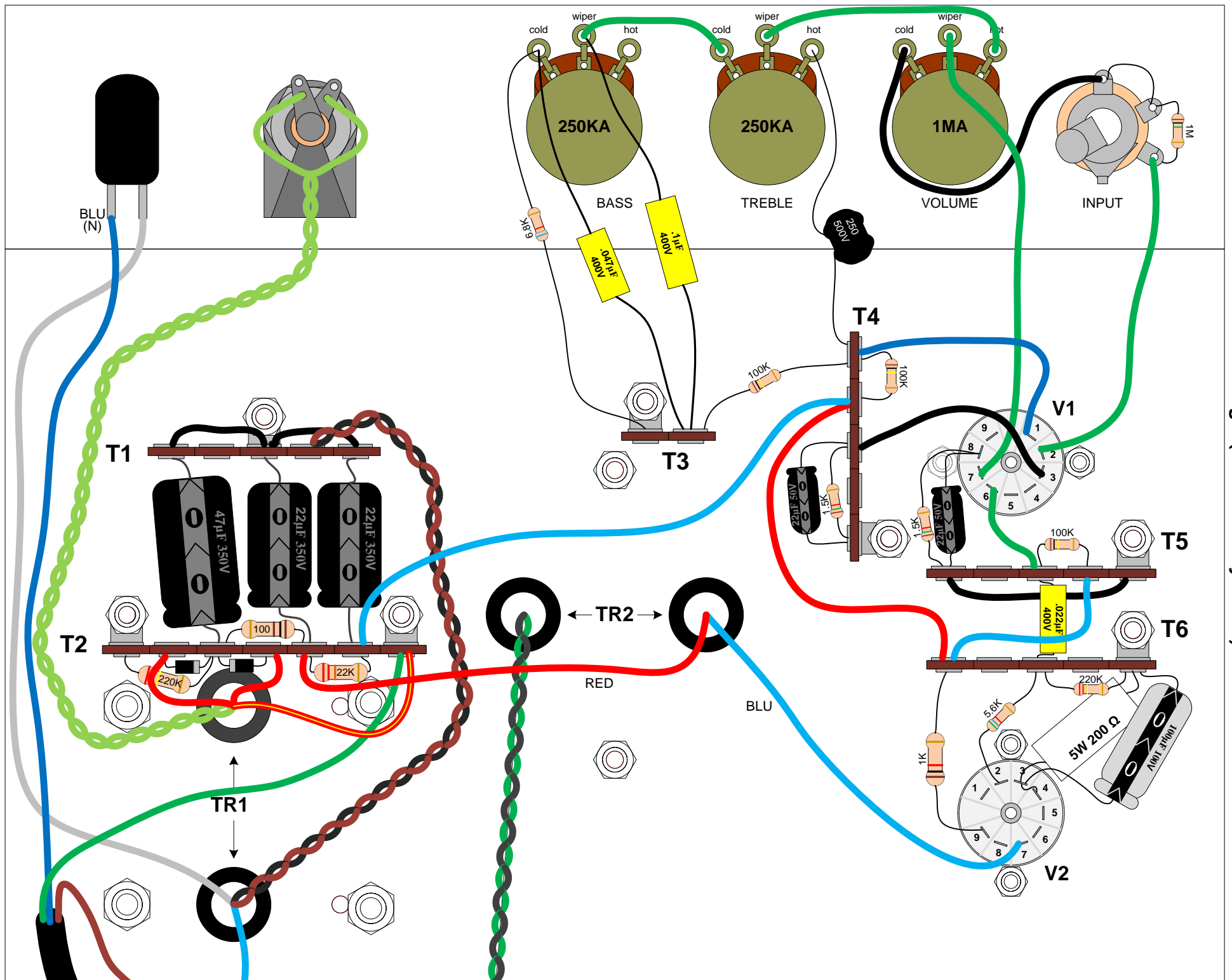


These drawings indicate the European power cord color code:
L = Brown
N = Blue
E = Green/Yellow

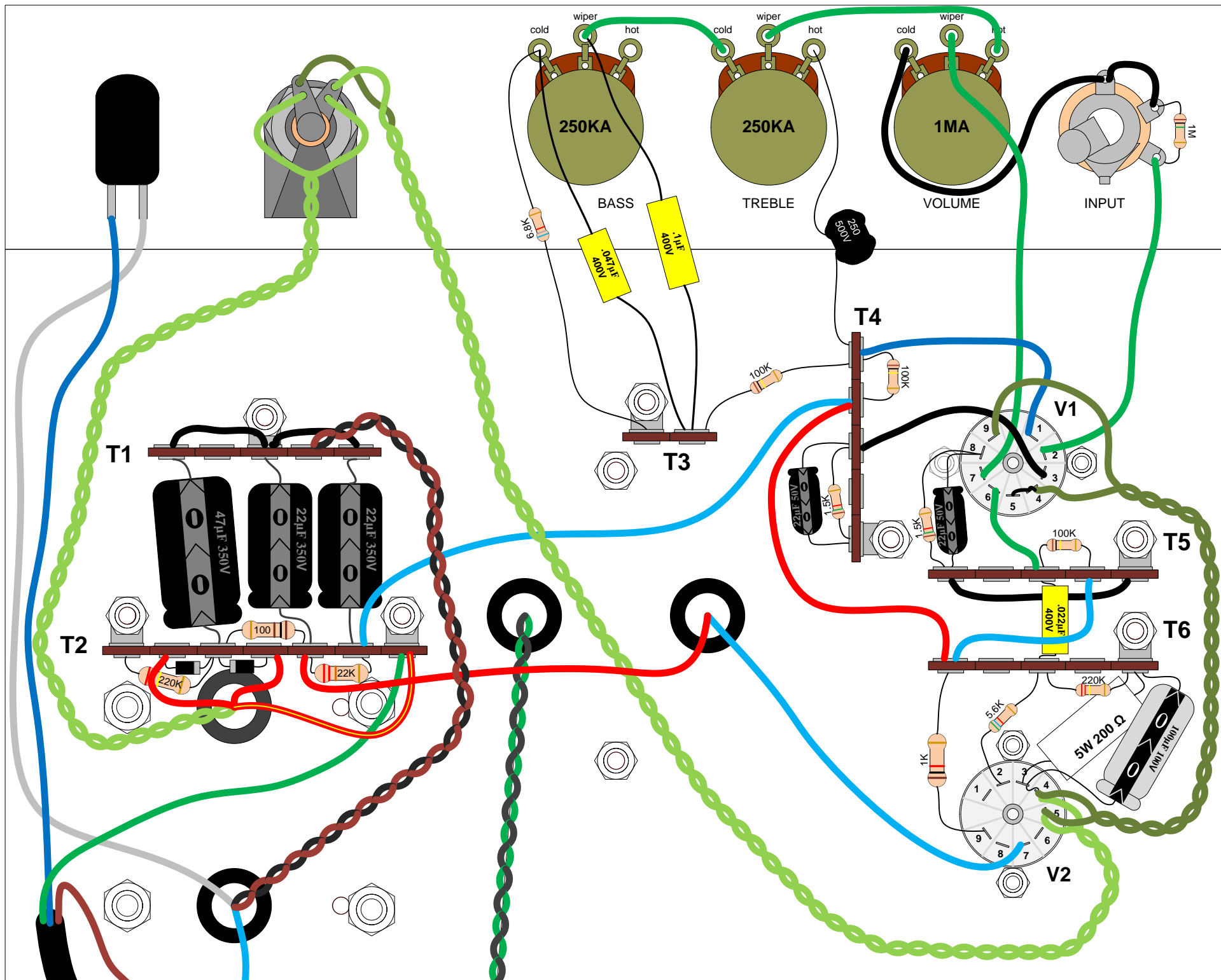


Brown & Black are the "Center-Wire" colors for 240V wiring. Customers in countries with mains voltages 100V, 110V and 120V should not have any wires to connect here.

Drawing 7 (240V Primary Wires)



Drawing 8 (240V Primary Wires)



Drawing 9 (240V Primary Wires)